

PS-100 7-Day Programmable Digital Timer



Save energy. Automatically turns devices on and off at the programmed time and day.

- Illuminated LCD screen.
- Easy to program.
- Precision clock with a backup battery that lasts up to 10 years.
- Operates from 100 to 250 VAC.
- Certified by UL of México SA de CV.

DESCRIPTION:

The PS-100 can be easily programmed to control the activation and deactivation of equipment and motors on any day of the week at the assigned hour and minute. Up to 20 activation and deactivation events can be scheduled.

In the event of a power outage, the clock retains the time for up to 10 years with a single included lithium battery, and the programmed events remain intact as they are stored in permanent memory.

All models of these programmable timers operate with either 120V or 220V and are equipped for daylight saving time adjustments.

OPERATION:

The timer automatically turns devices on or off at the programmed time and day. Regardless of this, the device can be manually turned on or off at any time.

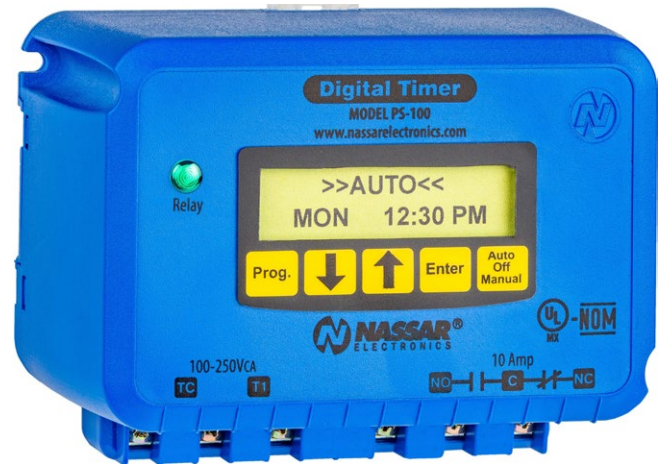
Every time the time switch connects the device, the LED lights up.

TECHNICAL SPECIFICATIONS:

Supply voltage	From 100 to 250 VAC 50/60 Hz.
Contact capacity	10 amp. resistive at 220 V max.
Full load lifespan	500,000 operations
Program memory	PS-100: 20 events
Precision	± 2 sec. per day at 77° F.
Consumption	3 watts max.
Lithium battery lifespan	Approx. 10 years at 77° F.
Operating temperature	14 to 140° F.
Weight with packaging	11.28 oz.
Dimensions	Figure #2 (See annex p. 32)

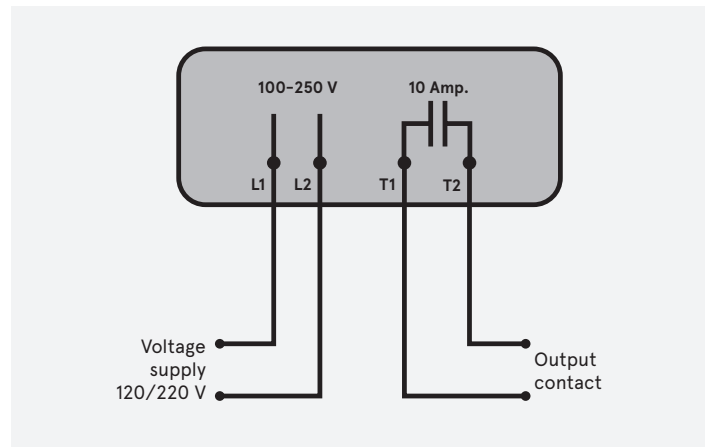
TO ORDER:

MODEL	MOUNTING TYPE	TYPE
PS-100	For screw mounting / DIN Rail	On-Off

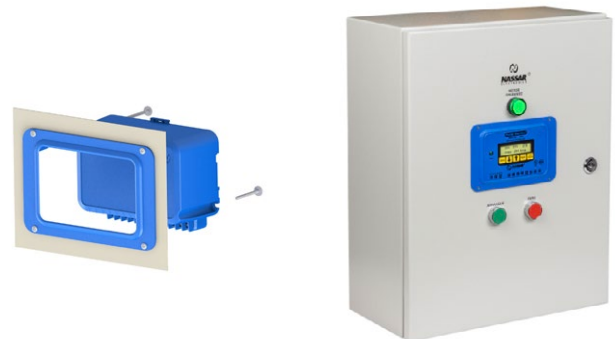


CONNECTION EXAMPLE:

For more installation information, please refer to the manual.



FRONT MOUNTING PLATE



PMF-237: Adaptor plate for mounting on the door of panels to easily view the time and operate the device.